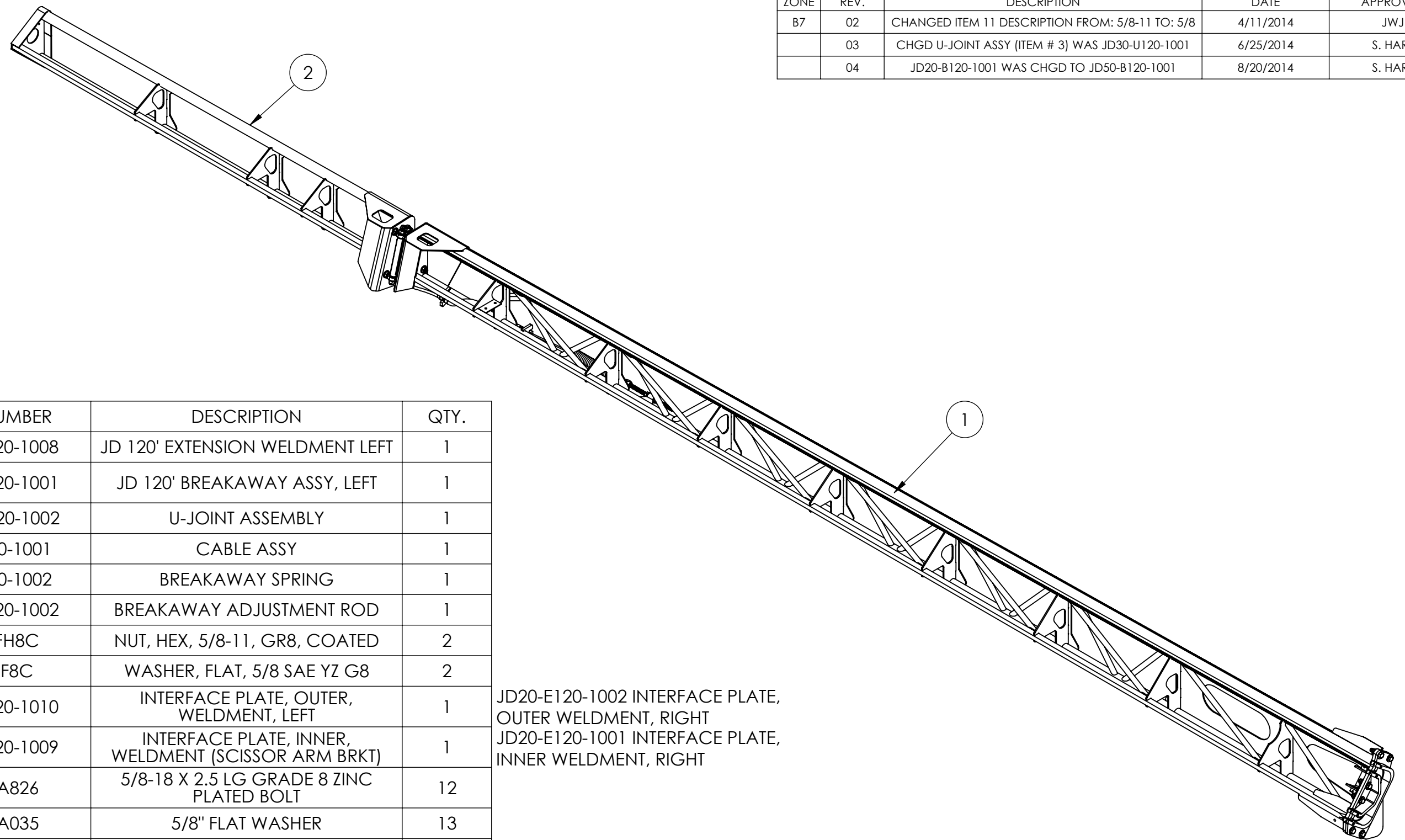


REVISIONS				
ZONE	REV.	DESCRIPTION	DATE	APPROVED
B7	02	CHANGED ITEM 11 DESCRIPTION FROM: 5/8-11 TO: 5/8	4/11/2014	JWJ
	03	CHGD U-JOINT ASSY (ITEM # 3) WAS JD30-U120-1001	6/25/2014	S. HART
	04	JD20-B120-1001 WAS CHGD TO JD50-B120-1001	8/20/2014	S. HART



ITEM NO.	PART NUMBER	DESCRIPTION	QTY.
1	JD20-E120-1008	JD 120' EXTENSION WELDMENT LEFT	1
2	JD50-B120-1001	JD 120' BREAKAWAY ASSY, LEFT	1
3	JD30-U120-1002	U-JOINT ASSEMBLY	1
4	T40-B150-1001	CABLE ASSY	1
5	T40-B150-1002	BREAKAWAY SPRING	1
6	JD20-B120-1002	BREAKAWAY ADJUSTMENT ROD	1
7	62CNFH8C	NUT, HEX, 5/8-11, GR8, COATED	2
8	62RWF8C	WASHER, FLAT, 5/8 SAE YZ G8	2
9	JD20-E120-1010	INTERFACE PLATE, OUTER, WELDMENT, LEFT	1
10	JD20-E120-1009	INTERFACE PLATE, INNER, WELDMENT (SCISSOR ARM BRKT)	1
11	92620A826	5/8-18 X 2.5 LG GRADE 8 ZINC PLATED BOLT	12
12	90107A035	5/8" FLAT WASHER	13
13	94831A730	5/8-18 SERRATED FLANGED HEX LOCKNUT GRADE 2	16
14	92316A585	5/16-18 X 1.25 LG GRADE 8 FLANGED HEAD HEX BOLT	1
15	90107A030	5/16, SST, FLAT WASHER	1
16	90715A135	5/16-18, SST, LOCK NUT	1
17	93839A835	5/8-18 THIN NUT GRADE 8 ZINC PLATED	4
18	92620A825	5/8-18 X 2 LG GRADE 8 ZINC PLATED HEX BOLT	4

JD20-E120-1002 INTERFACE PLATE, OUTER WELDMENT, RIGHT  
 JD20-E120-1001 INTERFACE PLATE, INNER WELDMENT, RIGHT

19 C47-002-38 BREAKAWAY CABLES

**Boyd Ag LLC™**  
 Our Business is **BOOMING**

THE DRAWING DEPICTED ON THIS PRINT AND THE INFORMATION CONTAINED HEREIN ARE PROPRIETARY TO BOYD AG, LLC, AND SHALL NOT BE USED IN WHOLE OR IN PART WITHOUT CONCENT OF BOYD AG, LLC.

UNLESS OTHERWISE SPECIFIED:  
 TOLERANCES:  
 ANGULAR: ± 1  
 TWO PLACE DECIMAL ± .010  
 THREE PLACE DECIMAL ± .005

MATERIAL	SEE BOM
FINISH	
DRAWN	JW JOYAL 4/3/14
CHECKED	

DO NOT SCALE DRAWING

**BOYD AG LLC.™**  
 GEORGETOWN, TEXAS 800-637-7884

TITLE:  
**JD 120' EXTENSION LEFT ASSY**

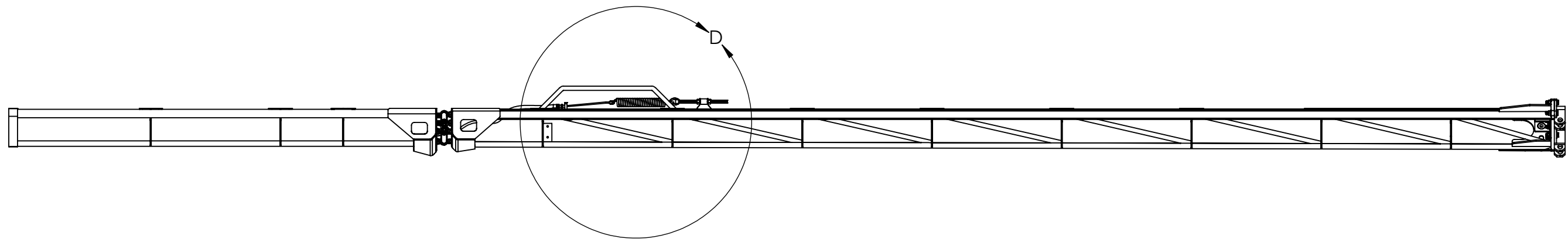
SIZE	DWG. NO.	REV
<b>B</b>	JD50-E120-1001	<b>04</b>

SCALE: 1:20 WEIGHT: SHEET 1 OF 2

8 7 6 5 4 3 2 1

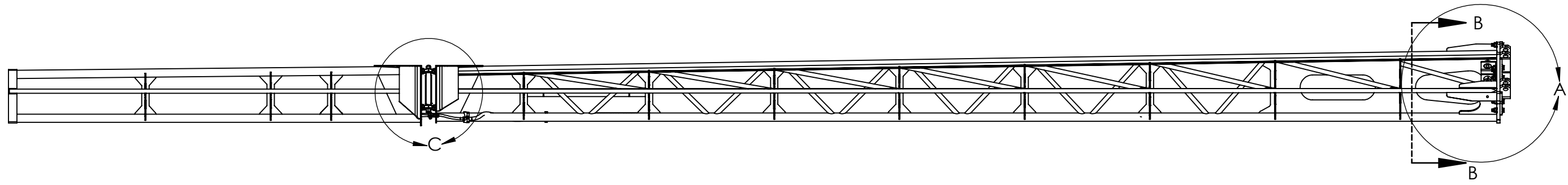
D

D



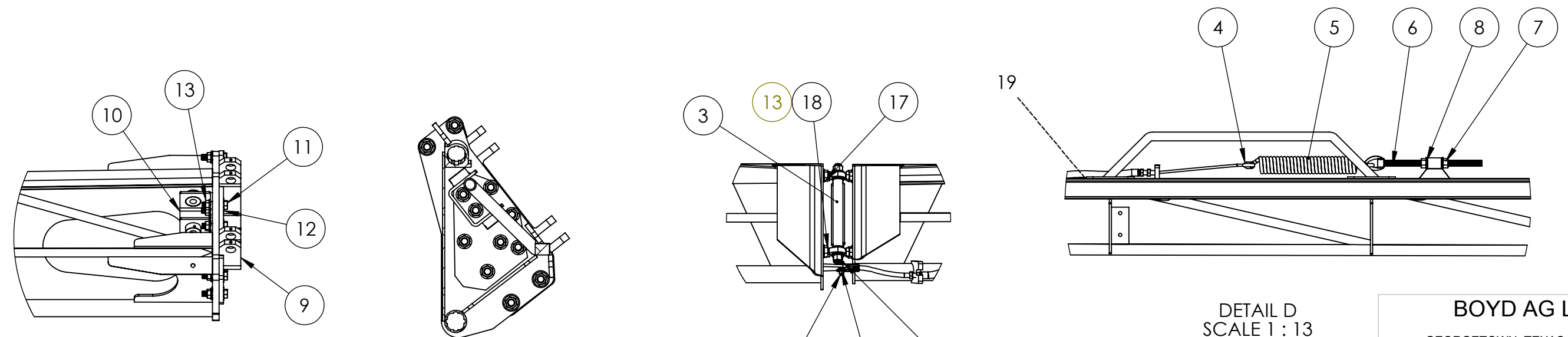
C

C



B

B



DETAIL A  
SCALE 1 : 13

SECTION B-B  
SCALE 1 : 10

DETAIL C  
SCALE 1 : 13

DETAIL D  
SCALE 1 : 13

**BOYD AG LLC.™**  
 GEORGETOWN, TEXAS 800-637-7884  
 TITLE:  
**JD 120' EXTENSION LEFT  
 ASSY**

THE DRAWING DEPICTED ON THIS  
 PRINT AND THE INFORMATION  
 CONTAINED HEREIN ARE  
 PROPRIETARY TO BOYD AG, LLC.  
 AND SHALL NOT BE USED IN WHOLE  
 OR IN PART WITHOUT CONSENT OF  
 BOYD AG, LLC.

SIZE <b>B</b>	DWG. NO. JD50-E120-1001	REV <b>04</b>
------------------	----------------------------	------------------

SCALE: 1:26 WEIGHT: SHEET 2 OF 2

8 7 6 5 4 3 2 1