


ITEM NO.	PART NUMBER	Rev.	DESCRIPTION	QTY.
1	95327A825		M20 X 2.5 X 110mmLG HEX HEAD G8 PARTIAL THD	2
2	64109		5/32 X 1-3/4 SPRING PIN	2
3	90725A740		M20 X 2.5 HEAVY HEX NUT	2
4	JD10-E120-1047	02	ECCENTRIC BUSHING	4
5	JD30-E120-1020	01	CYLINDER BLOCK ASSY	1
6	JD10-E120-1078	C	CYLINDER PIN	1
7	JD30-E120-1000	B	CENTER RACK REAR BUMPER ASSY, JD 4700/4800 BOOM EXT	1
8	JD30-E120-1001	B	SECONDARY TRANSPORT SHELF ASSY 1	1
9	JD30-E120-1002	C	SECONDARY TRANSPORT SHELF ASSY 2	1
10	JD30-E120-1003	01	PRIMARY TRANSPORT SHELF ASSY	1
11	JD30-E120-1004	01	INTERFACE SCISSOR ARM SPACER ASSY	1
12	JD30-E120-1005	03	INTERFACE PIN ASSY	1
13	JD30-E120-1019	C	PLUMBING BRKTY ASSY, HORIZONTAL	12
14	B306		B306, HYDRAULIC CYLINDER, 13.125 STROKE	1
15	92695A305		1/4-20 X 1/2LG SET SCREW	8
16	93839A855		1-14 UNS, GRADE 8 THIN JAM NUT YZ	1
17	JD20-E120-1012	B	REMOTE PLUMBING BRKT ASSY	1
18	JD10-E120-1095		JD LUG, WELD ON PLATE	4

REVISIONS			
REV.	DESCRIPTION	DATE	APRVD
02	CHANGED HEX BOLT AND HEX NUT PART NUMBERS TO SPECIFY METRIC M20 X 2.5 BOLT AND NUT	4/10/2014	JWJ
03	ADDED ITEM # 16 (93839A855)	4/25/2014	S. HART
04	CHGD ITEM # 16; WAS JD30-E120-1006	5/23/2014	S. HART
05	CHGD ITEM # 5 PART #; WAS JD10-E120-1052	6/25/2014	S. HART
06	ADDED ITEM # 17 (90778A410) & ITEM # 18 (JD20-E120-1012)	7/16/2014	S. HART
07	RVSD JD30-E120-1019, JD20-E120-1012, JD30-E120-1002, & JD30-E120-1001	7/14/2016	BSM
08	RVSD JD30-E120-1005	4/26/2017	SW
09	UPDATED U-BOLT PART NUMBERS IN JD30-E120-1002 SECONDARY TRANSPORT SHELF ASSY	10/26/2017	BSM
J	REVISED JD10-E120-1078 CYLINDER PIN	7/23/2019	BSM
K	REPLACED ITEMS #2 & #15	3/10/2020	AGD
L	REMOVED 90778A410, ADDED 4 ITEM 15, ADDED ITEM 18	1/12/2021	AGD
M	UPDATED ITEM 12	5/11/2021	AGD
N	REPLACED ITEM #2	7/14/2021	AGD

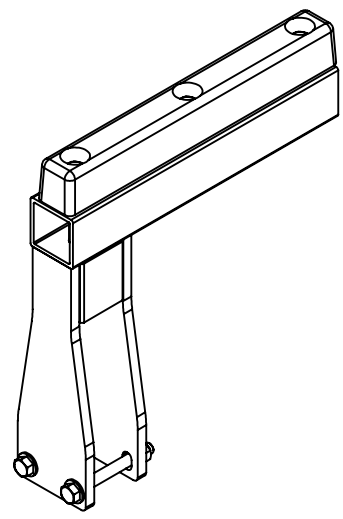
**NOTE: BOM QUANTITIES ARE PER SIDE
DOUBLE QTY'S FOR FULL BOOM SET**

 Our Business is BOOMING		BOYD AG LLC.™ GEORGETOWN, TEXAS 800-637-7884	
THE DRAWING DEPICTED ON THIS PRINT AND THE INFORMATION CONTAINED HEREIN ARE PROPRIETARY TO BOYD AG, LLC. AND SHALL NOT BE USED IN WHOLE OR IN PART WITHOUT CONCENT OF BOYD AG, LLC.		UNLESS OTHERWISE SPECIFIED: TOLERANCES: ANGULAR: ± 1 TWO PLACE DECIMAL ± .010 THREE PLACE DECIMAL ± .005	
MATERIAL SEE BOM		TITLE: JD 120' EXTENSION SHIP KIT	
FINISH		SIZE DWG. NO. REV B JD30-E120-1007 N	
DO NOT SCALE DRAWING		SCALE: 1:2 WEIGHT: SHEET 1 OF 2	

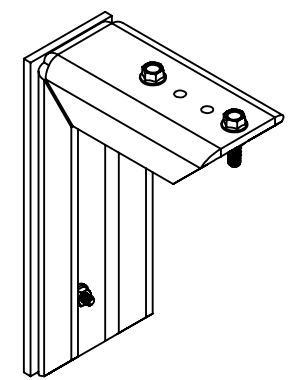
8 7 6 5 4 3 2 1

D
C
B
A

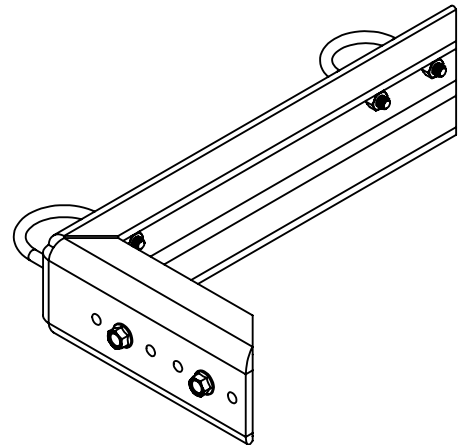
D
C
B
A



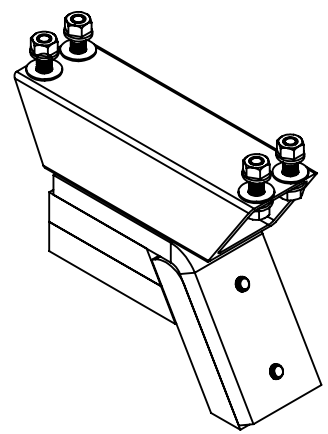
JD30-E120-1000



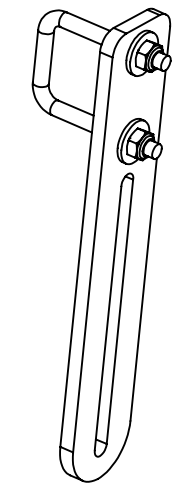
JD30-E120-1001



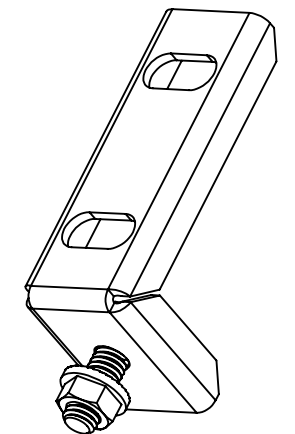
JD30-E120-1002



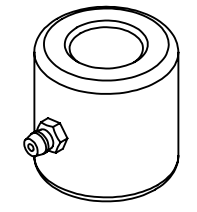
JD30-E120-1003



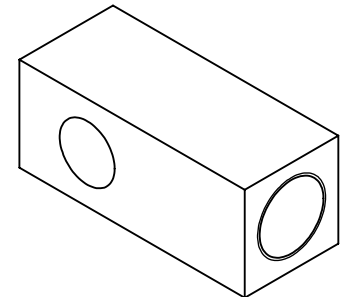
JD30-E120-1019



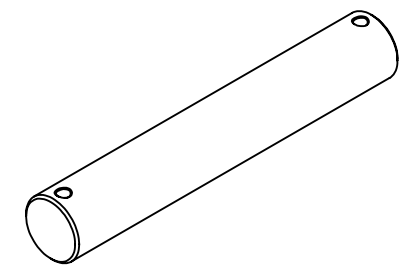
JD20-E120-1012



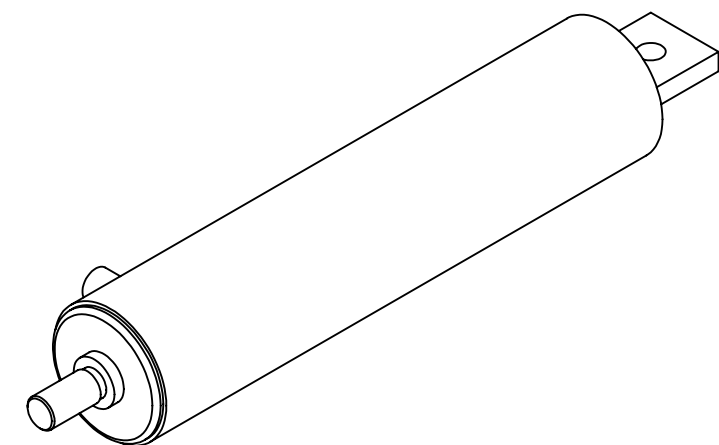
JD30-E120-1004



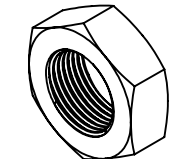
JD30-E120-1020



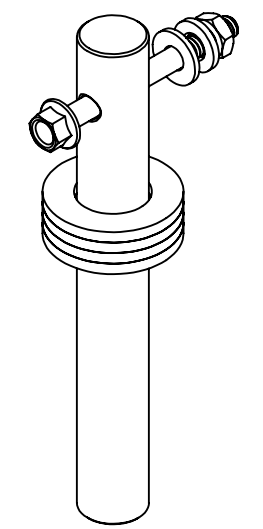
JD10-E120-1078



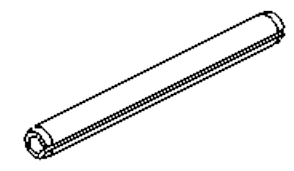
B306



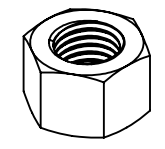
93839A855



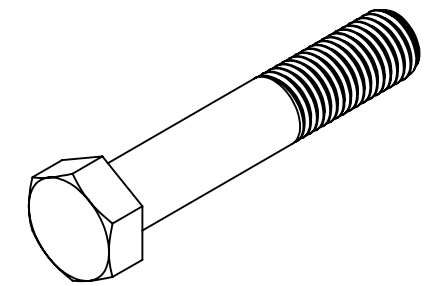
JD30-E120-1005



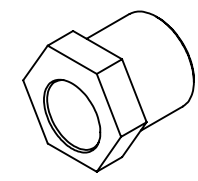
64109



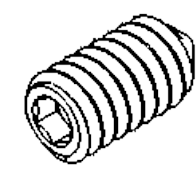
90725A740



95327A825



JD10-E120-1047



92695A305



JD10-E102-1095

NOT TO SCALE/REFERENCE ONLY

THE DRAWING DEPICTED ON THIS PRINT AND THE INFORMATION CONTAINED HEREIN ARE PROPRIETARY TO BOYD AG, LLC. AND SHALL NOT BE USED IN WHOLE OR IN PART WITHOUT CONSENT OF BOYD AG, LLC.

BOYD AG LLC.™		
GEORGETOWN, TEXAS 800-637-7884		
TITLE: JD 120' EXTENSION SHIP KIT		
SIZE B	DWG. NO. JD30-E120-1007	REV N
SCALE: 1:2	WEIGHT:	SHEET 2 OF 2

8 7 6 5 4 3 2 1