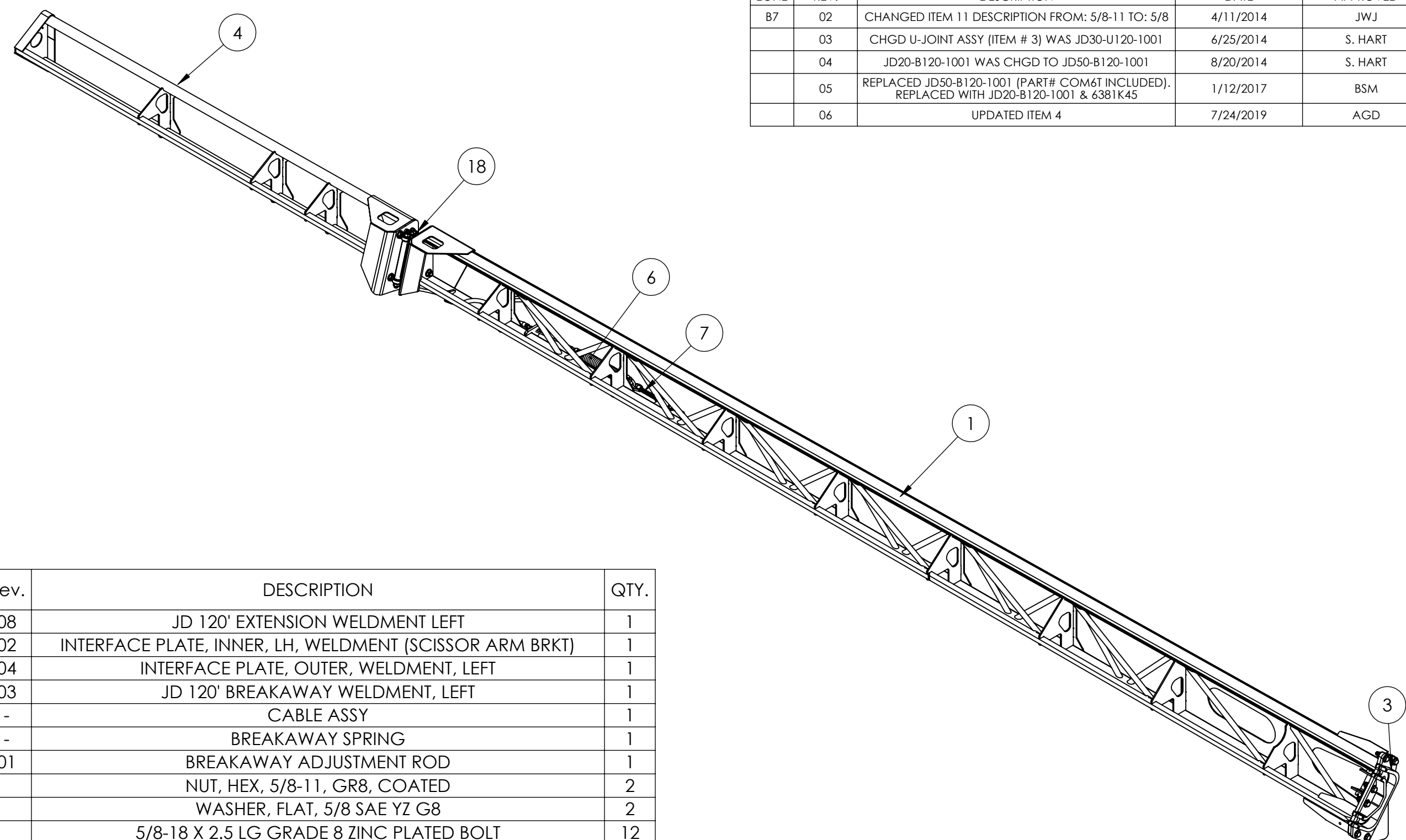


8 7 6 5 4 3 2 1

REVISIONS				
ZONE	REV.	DESCRIPTION	DATE	APPROVED
B7	02	CHANGED ITEM 11 DESCRIPTION FROM: 5/8-11 TO: 5/8	4/11/2014	JWJ
	03	CHGD U-JOINT ASSY (ITEM # 3) WAS JD30-U120-1001	6/25/2014	S. HART
	04	JD20-B120-1001 WAS CHGD TO JD50-B120-1001	8/20/2014	S. HART
	05	REPLACED JD50-B120-1001 (PART# COM6T INCLUDED). REPLACED WITH JD20-B120-1001 & 6381K45	1/12/2017	BSM
	06	UPDATED ITEM 4	7/24/2019	AGD



ITEM NO.	PART NUMBER	Rev.	DESCRIPTION	QTY.
1	JD20-E120-1008	08	JD 120' EXTENSION WELDMENT LEFT	1
2	JD20-E120-1009	02	INTERFACE PLATE, INNER, LH, WELDMENT (SCISSOR ARM BRKT)	1
3	JD20-E120-1010	04	INTERFACE PLATE, OUTER, WELDMENT, LEFT	1
4	JD20-B120-1001	03	JD 120' BREAKAWAY WELDMENT, LEFT	1
5	C47-002-38	-	CABLE ASSY	1
6	160939	-	BREAKAWAY SPRING	1
7	JD20-B120-1002	01	BREAKAWAY ADJUSTMENT ROD	1
8	62CNFH8C		NUT, HEX, 5/8-11, GR8, COATED	2
9	62RWF8C		WASHER, FLAT, 5/8 SAE YZ G8	2
10	92620A826		5/8-18 X 2.5 LG GRADE 8 ZINC PLATED BOLT	12
11	90107A035		5/8" FLAT WASHER	13
12	94831A730		5/8-18 SERRATED FLANGED HEX LOCKNUT GRADE 2	16
13	92316A585		5/16-18 X 1.25 LG GRADE 8 FLANGED HEAD HEX BOLT	1
14	90107A030		5/16, SST, FLAT WASHER	1
15	90715A135		5/16-18, SST, LOCK NUT	1
16	93839A835		5/8-18 THIN NUT GRADE 8 ZINC PLATED	4
17	92620A825		5/8-18 X 2 LG GRADE 8 ZINC PLATED HEX BOLT	4
18	JD30-U120-1002	01	U-JOINT ASSEMBLY, 4800 SERIES BOOM EXT.	1
19	6381K45	-	SLEEVE BEARING, CAST BRONZE, .50" O.D. X .38" ID X .50" SHAFT	1

Boyd Ag LLC™
Our Business is **BOOMING**

THE DRAWING DEPICTED ON THIS PRINT AND THE INFORMATION CONTAINED HEREIN ARE PROPRIETARY TO BOYD AG, LLC, AND SHALL NOT BE USED IN WHOLE OR IN PART WITHOUT CONCENT OF BOYD AG, LLC.

UNLESS OTHERWISE SPECIFIED:
TOLERANCES:
ANGULAR: ± 1
TWO PLACE DECIMAL ± .010
THREE PLACE DECIMAL ± .005

MATERIAL

FINISH

DO NOT SCALE DRAWING

BOYD AG LLC.™
GEORGETOWN, TEXAS 800-637-7884

TITLE:
JD 120' EXTENSION LEFT ASSY

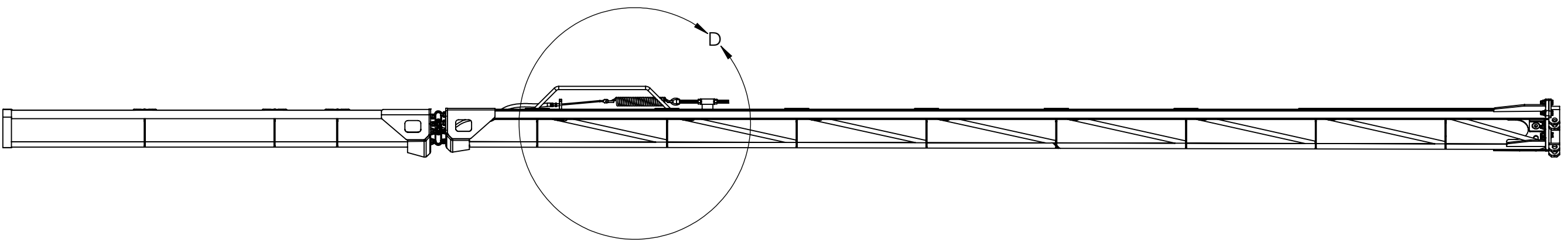
SIZE	DWG. NO.	REV
B	JD50-E120-1001	06

SCALE: 1:20 WEIGHT: 278.94 SHEET 1 OF 2

8 7 6 5 4 3 2 1

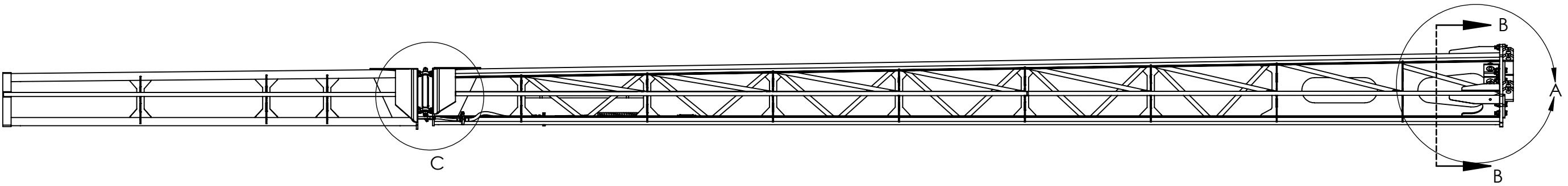
8 7 6 5 4 3 2 1

D



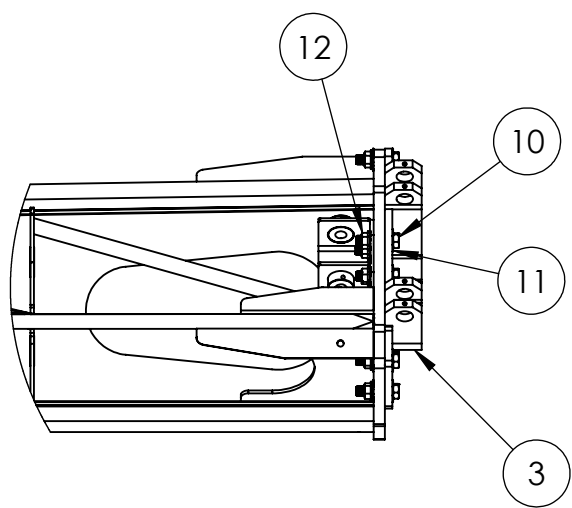
D

C

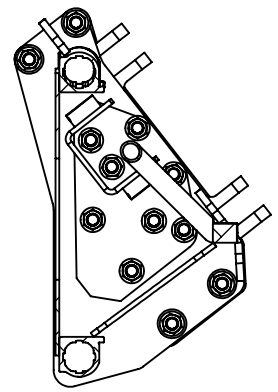


C

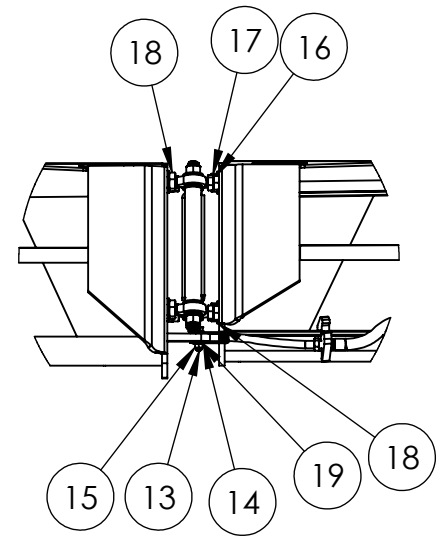
B



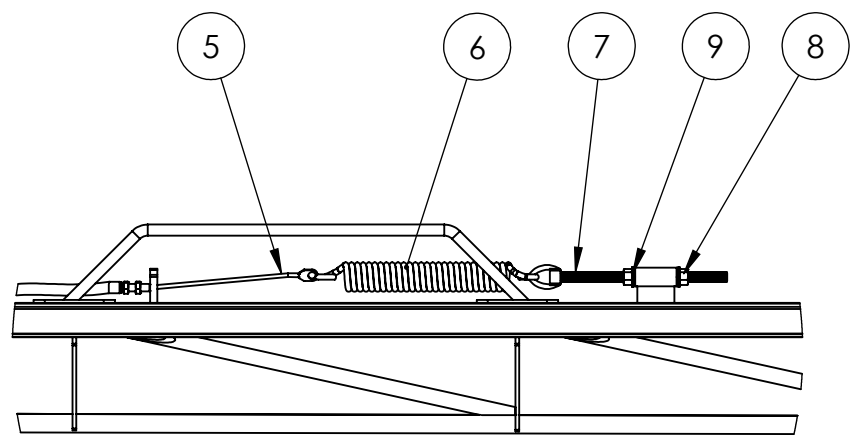
DETAIL A
SCALE 1 : 13



SECTION B-B
SCALE 1 : 10



DETAIL C
SCALE 1 : 13



DETAIL D
SCALE 1 : 13

BOYD AG LLC.™
 GEORGETOWN, TEXAS 800-637-7884
 TITLE:
**JD 120' EXTENSION LEFT
 ASSY**

THE DRAWING DEPICTED ON THIS
 PRINT AND THE INFORMATION
 CONTAINED HEREIN ARE
 PROPRIETARY TO BOYD AG, LLC.
 AND SHALL NOT BE USED IN WHOLE
 OR IN PART WITHOUT CONCENT OF
 BOYD AG, LLC.

SIZE B	DWG. NO. JD50-E120-1001	REV 06
------------------	----------------------------	------------------

SCALE: 1:26 WEIGHT: 278.94 SHEET 2 OF 2

8 7 6 5 4 3 2 1

A

A