

REVISIONS				
ZONE	REV.	DESCRIPTION	DATE	APPROVED
A7, SH2-B7	02	ITEM 14 DESCRIPTION CHANGED TO 5/8-18, SHEET 2 CHANGED ITEM NUMBER FROM 16 TO 15	4/11/2014	JWJ
	03	CHGD U-JOINT ASSY (ITEM # 18) WAS JD30-U120-1001	6/24/2014	S. HART
	04	JD20-B120-1000 WAS CHGD TO JD50-B120-1000	8/20/2014	S. HART
	05	REPLACED JD50-B120-1000 (PART# COM6T INCLUDED). REPLACED WITH JD20-B120-1000 & 6381K45	1/12/2017	BSM
	06	UPDATED ITEM 17	7/24/2019	

ITEM NO.	PART NUMBER	Rev.	DESCRIPTION	QTY.
1	92620A825		5/8-18 X 2 LG GRADE 8 ZINC PLATED HEX BOLT	4
2	94831A730		5/8-18 SERRATED FLANGED HEX LOCKNUT GRADE 2	16
3	93839A835		5/8-18 THIN NUT GRADE 8 ZINC PLATED	4
4	160939	-	BREAKAWAY SPRING	1
5	JD20-B120-1002	01	BREAKAWAY ADJUSTMENT ROD	1
6	62RWF8C		WASHER, FLAT, 5/8 SAE YZ G8	2
7	62CNFH8C		NUT, HEX, 5/8-11, GR8, COATED	2
8	JD20-E120-1000	08	JD 120' EXTENSION WELDMENT RIGHT	1
9	C47-002-38	-	CABLE ASSY	1
10	JD20-E120-1001	03	INTERFACE PLATE, INNER, RH, WELDMENT (SCISSOR ARM BRKT)	1
11	92620A826		5/8-18 X 2.5 LG GRADE 8 ZINC PLATED BOLT	12
12	90107A035		5/8" FLAT WASHER	13
13	92316A585		5/16-18 X 1.25 LG GRADE 8 FLANGED HEAD HEX BOLT	1
14	90715A135		5/16-18, SST, LOCK NUT	1
15	90107A030		5/16, SST, FLAT WASHER	1
16	JD30-U120-1002	01	U-JOINT ASSEMBLY, 4800 SERIES BOOM EXT.	1
17	JD20-B120-1000	05	JD 120' BREAKAWAY WELDMENT, RIGHT	1
18	JD20-E120-1002	04	INTERFACE PLATE, OUTER, WELDMENT, RIGHT	1
19	6381K45	-	SLEEVE BEARING, CAST BRONZE, .50" O.D. X .38" ID X .50" SHAFT	1

**Boyd Ag LLC™**  
Our Business is BOOMING

THE DRAWING DEPICTED ON THIS PRINT AND THE INFORMATION CONTAINED HEREIN ARE PROPRIETARY TO BOYD AG, LLC, AND SHALL NOT BE USED IN WHOLE OR IN PART WITHOUT CONSENT OF BOYD AG, LLC.

UNLESS OTHERWISE SPECIFIED:  
TOLERANCES:  
ANGULAR: ± 1  
TWO PLACE DECIMAL ± .010  
THREE PLACE DECIMAL ± .005

MATERIAL

FINISH

DO NOT SCALE DRAWING

NAME	DATE
S. HART	1/31/2014

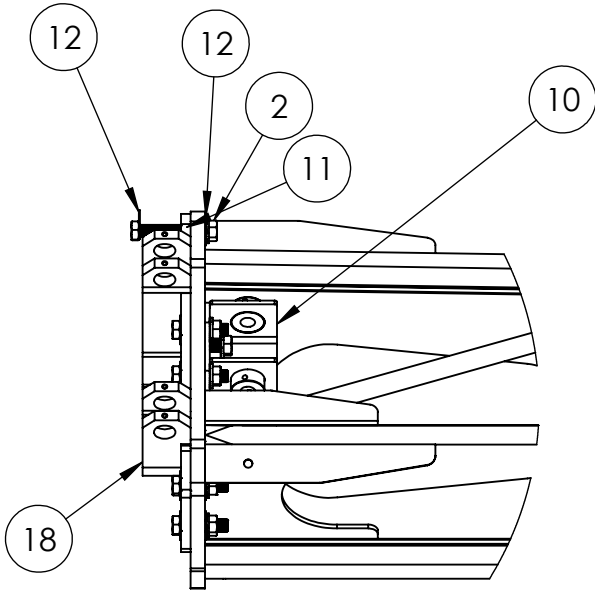
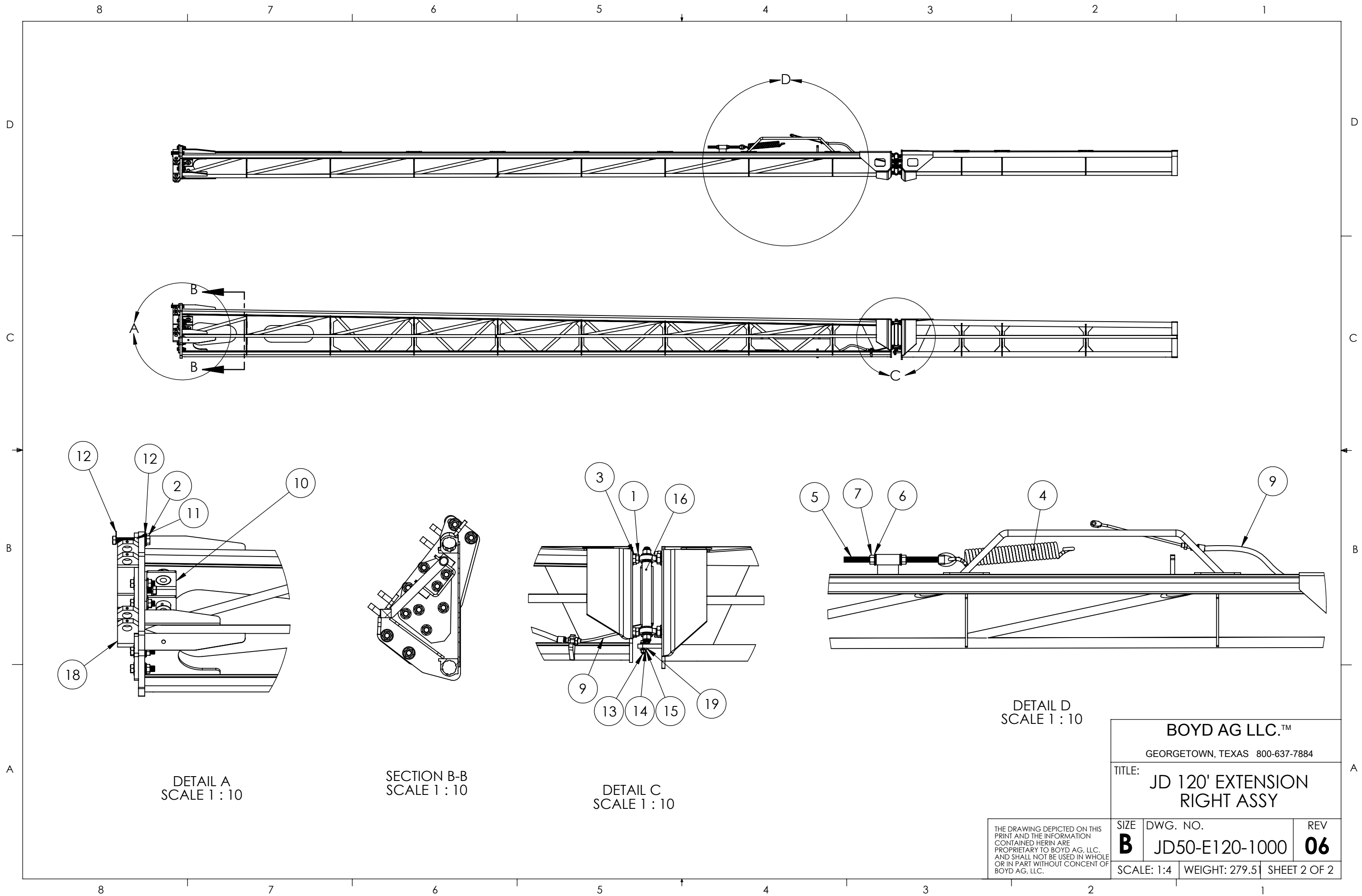
CHECKED

**BOYD AG LLC.™**  
GEORGETOWN, TEXAS 800-637-7884

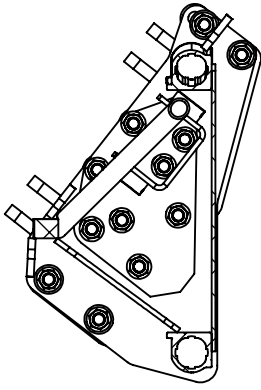
TITLE: **JD 120' EXTENSION RIGHT ASSY**

SIZE	DWG. NO.	REV
<b>B</b>	<b>JD50-E120-1000</b>	<b>06</b>

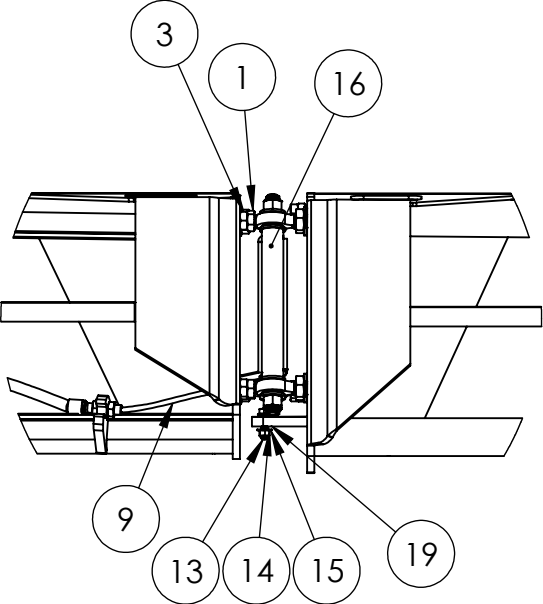
SCALE: 1:48 | WEIGHT: 279.51 | SHEET 1 OF 2



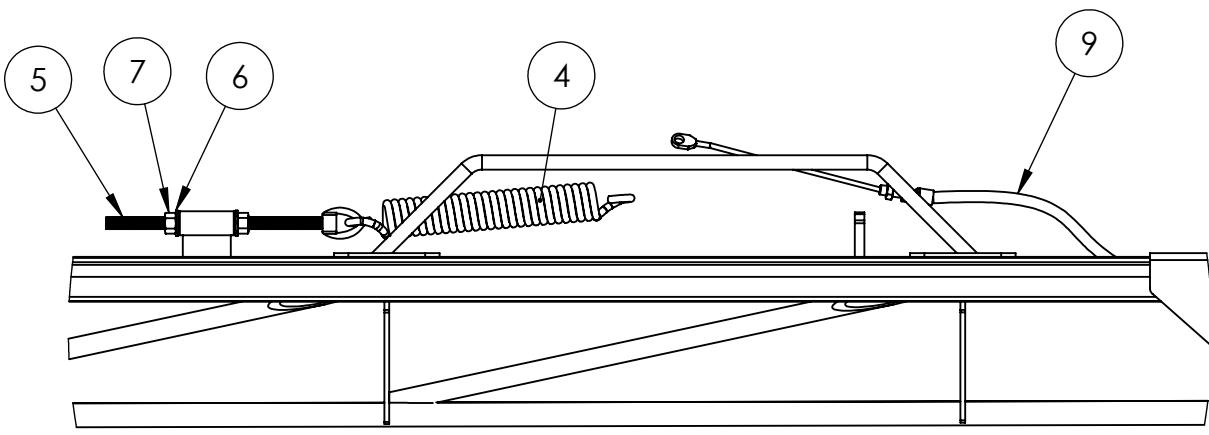
DETAIL A  
SCALE 1 : 10



SECTION B-B  
SCALE 1 : 10



DETAIL C  
SCALE 1 : 10



DETAIL D  
SCALE 1 : 10

THE DRAWING DEPICTED ON THIS PRINT AND THE INFORMATION CONTAINED HEREIN ARE PROPRIETARY TO BOYD AG, LLC. AND SHALL NOT BE USED IN WHOLE OR IN PART WITHOUT CONSENT OF BOYD AG, LLC.

<b>BOYD AG LLC.™</b> GEORGETOWN, TEXAS 800-637-7884		
TITLE: <b>JD 120' EXTENSION RIGHT ASSY</b>		
SIZE <b>B</b>	DWG. NO. <b>JD50-E120-1000</b>	REV <b>06</b>
SCALE: 1:4	WEIGHT: 279.51	SHEET 2 OF 2